

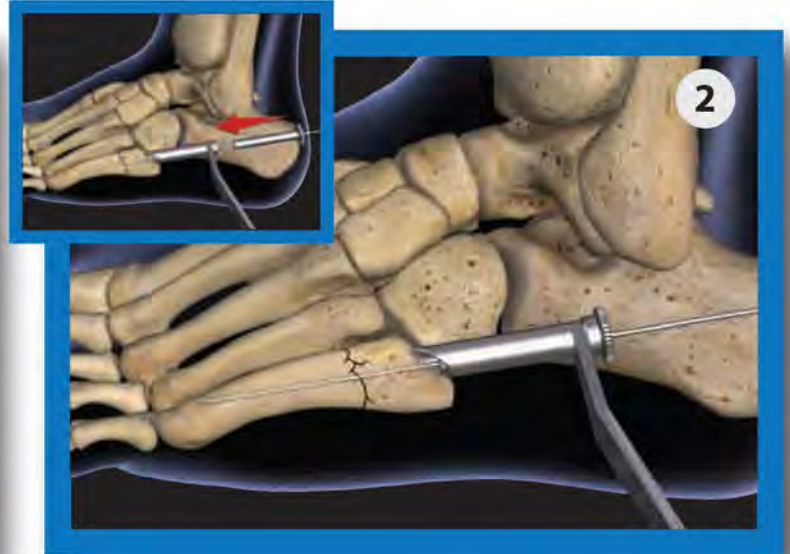
JONES-FX™

4.5 | 5.5 | 6.5 Cannulated & Solid Titanium
Surgical Technique Guide



- Use topographical markings to map the anatomy of the 5th metatarsal. Make a 2-4cm superficial lateral incision parallel to the plantar border of the foot beginning at the level of the tuberosity and extending proximal.

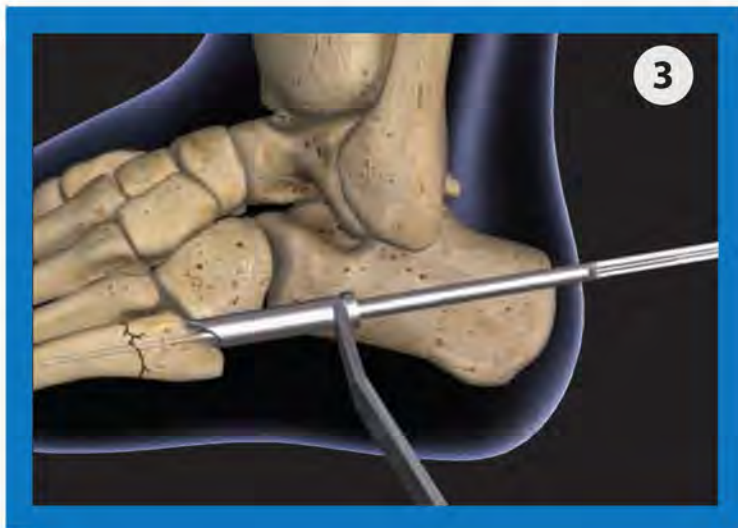
- Use blunt dissection to expose the surgical site.



- Introduce the supplied 1.7mm k-wire "high and inside" on the base of the fifth metatarsal using the tissue protector with k-wire guide insert.

- The soft tissue protector should be against the lateral aspect of the cuboid. Under fluoroscopy, advance the k-wire past the fracture site until the desired screw length has been achieved.

- The k-wire should be centered within the intramedullary canal. Remove the k-wire guide insert while leaving the tissue protector and k-wire in situ.



- Slide the depth gauge over the k-wire and through the soft tissue protector to measure the required screw length. Remove the depth gauge while leaving the soft tissue protector and k-wire in situ.



- Slide the 3.1mm drill guide insert over the k-wire and into the tissue protector.

- Over-drill the k-wire with the supplied 3.1mm cannulated drill bit under fluoroscopic visualization.

- Remove the drill bit and drill guide insert while leaving the tissue protector and k-wire in situ.



- Slide the 4.5mm tap guide insert over the k-wire and into the tissue protector.
- Use the supplied 4.5mm cannulated bone screw tap to prepare the bone thread path.*
- Remove the tap and tap guide while leaving the tissue protector and k-wire in situ.

- Using the supplied cannulated countersink, relieve the proximal cortex creating a pocket for the screw head to sit flush with the bone.

**If the 4.5mm tap appears too narrow for the canal then it may be necessary to use a 5.5mm or 6.5mm screw. If so, utilize the supplied drill bits, taps, and guide inserts for the desired screw.*



- Using the cannulated T20 lobe drive, insert the cannulated screw onto the k-wire and insert into the bone until desired compression is achieved.

- Confirm implant placement under fluoroscopy. Irrigate and close in standard manner.

**If a solid screw is to be used, then the k-wire must be removed prior to introducing the screw.*



Headed - Large, deep, low profile T20 lobe drive allows higher torque, reduces cam-out, increases strength and driver contact surface area

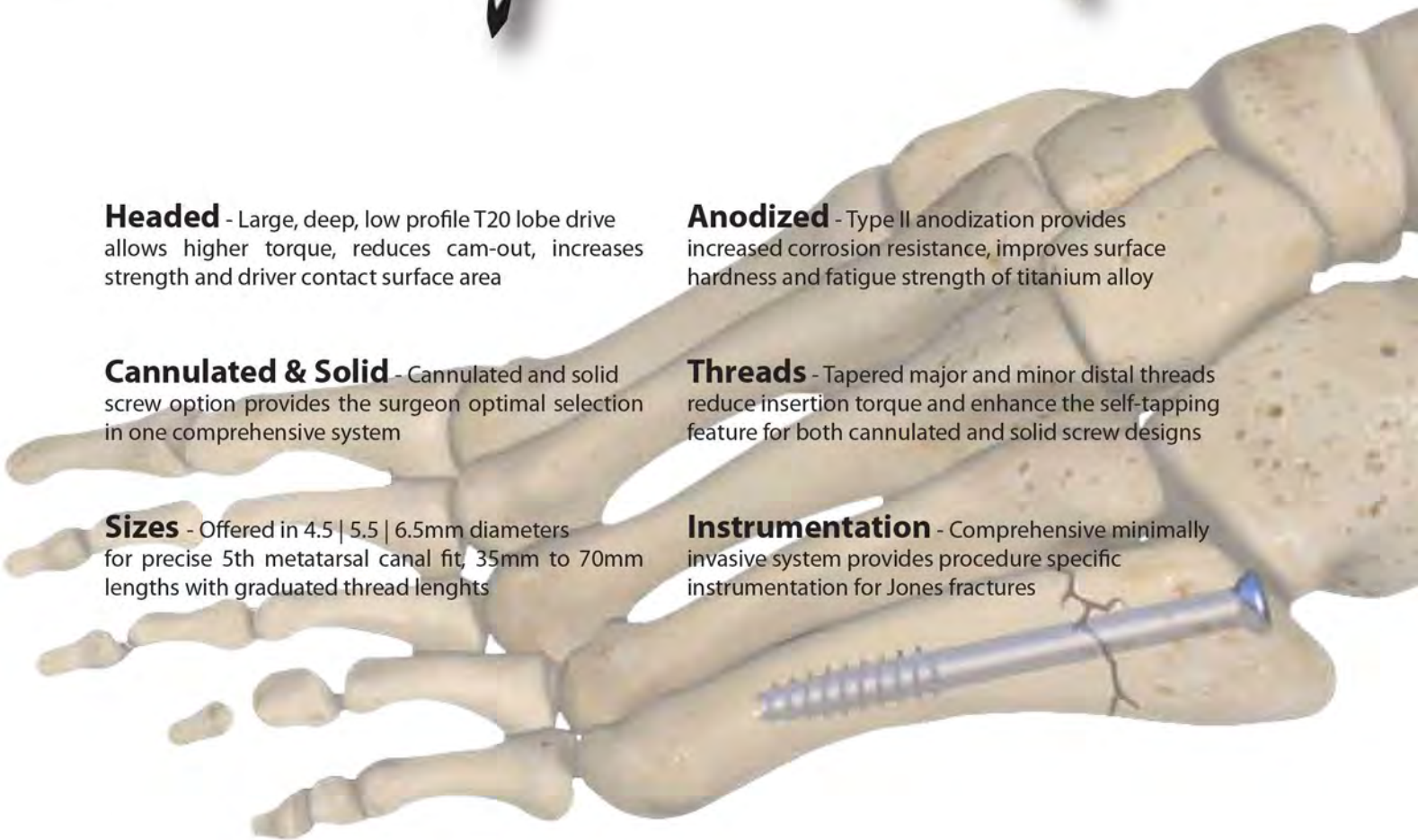
Anodized - Type II anodization provides increased corrosion resistance, improves surface hardness and fatigue strength of titanium alloy

Cannulated & Solid - Cannulated and solid screw option provides the surgeon optimal selection in one comprehensive system

Threads - Tapered major and minor distal threads reduce insertion torque and enhance the self-tapping feature for both cannulated and solid screw designs

Sizes - Offered in 4.5 | 5.5 | 6.5mm diameters for precise 5th metatarsal canal fit, 35mm to 70mm lengths with graduated thread lengths

Instrumentation - Comprehensive minimally invasive system provides procedure specific instrumentation for Jones fractures





The Jones fracture is a fairly common fracture of the fifth metatarsal that is attributed to a twisting inversion injury to the foot. Repetitive stress, overuse, and trauma are the leading causes of Jones fractures. A Jones fracture involves a fracture at the base of the fifth metatarsal at the metaphyseal-diaphyseal junction approximately 1.5cm distal to the tuberosity.

Indication:

The Instratek 4.5mm, 5.5mm & 6.5mm screws are indicated for fixation of bone fractures, osteotomies, non-unions and mal-unions in bone reconstruction. These devices are not intended for use in the spine. They are indicated for:

- Metatarsal Fractures
- Fixation of malunions and nonunions
- Acute fractures
- Avulsion fractures
- Repetitive stress fractures
- Malleolar fractures
- Talus fractures
- Greater Tuberosity fractures
- Small joint fusion
- Jones fractures
- Osteotomies & non-unions in the foot and ankle

Highlights:

- Surgical grade titanium alloy (Ti6Al4V)
- Available in cannulated and solid
- 4.5, 5.5, and 6.5 diameters
- 35mm - 70mm screw lengths
- Tap or self-tapping option
- Consistent thread pitch with all diameter screws
- Modular soft tissue protector
- T20 lobe drive
- Color coded instrumentation
- Varied thread lengths

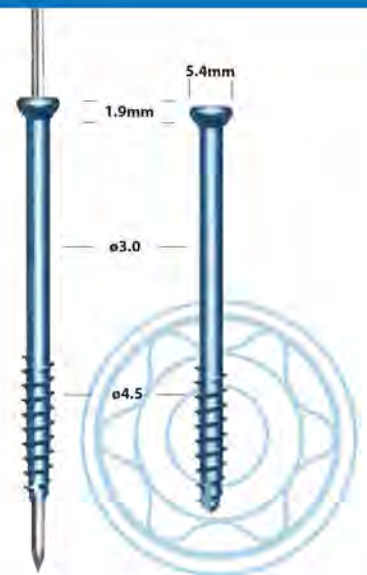
4.5

Cannulated

- JC4535 4.5mm Cannulated Screw, Length 35mm
- JC4540 4.5mm Cannulated Screw, Length 40mm
- JC4545 4.5mm Cannulated Screw, Length 45mm
- JC4550 4.5mm Cannulated Screw, Length 50mm
- JC4555 4.5mm Cannulated Screw, Length 55mm
- JC4560 4.5mm Cannulated Screw, Length 60mm
- JC4565 4.5mm Cannulated Screw, Length 65mm
- JC4570 4.5mm Cannulated Screw, Length 70mm

Solid

- JS4535 4.5mm Solid Screw, Length 35mm
- JS4540 4.5mm Solid Screw, Length 40mm
- JS4545 4.5mm Solid Screw, Length 45mm
- JS4550 4.5mm Solid Screw, Length 50mm
- JS4555 4.5mm Solid Screw, Length 55mm
- JS4560 4.5mm Solid Screw, Length 60mm
- JS4565 4.5mm Solid Screw, Length 65mm
- JS4570 4.5mm Solid Screw, Length 70mm



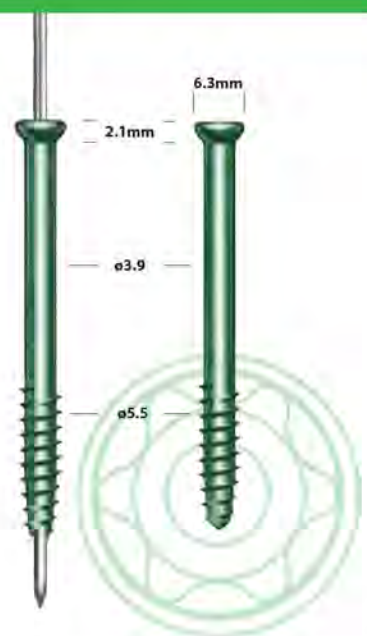
5.5

Cannulated

- JC5535 5.5mm Cannulated Screw, Length 35mm
- JC5540 5.5mm Cannulated Screw, Length 40mm
- JC5545 5.5mm Cannulated Screw, Length 45mm
- JC5550 5.5mm Cannulated Screw, Length 50mm
- JC5555 5.5mm Cannulated Screw, Length 55mm
- JC5560 5.5mm Cannulated Screw, Length 60mm
- JC5565 5.5mm Cannulated Screw, Length 65mm
- JC5570 5.5mm Cannulated Screw, Length 70mm

Solid

- JS5535 5.5mm Solid Screw, Length 35mm
- JS5540 5.5mm Solid Screw, Length 40mm
- JS5545 5.5mm Solid Screw, Length 45mm
- JS5550 5.5mm Solid Screw, Length 50mm
- JS5555 5.5mm Solid Screw, Length 55mm
- JS5560 5.5mm Solid Screw, Length 60mm
- JS5565 5.5mm Solid Screw, Length 65mm
- JS5570 5.5mm Solid Screw, Length 70mm



6.5

Cannulated

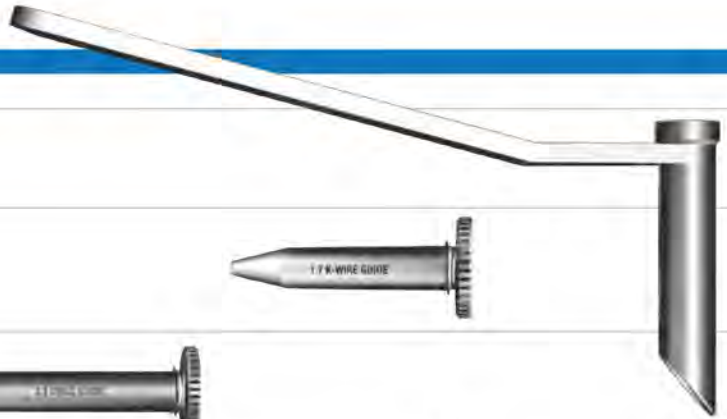
- JC6535 6.5mm Cannulated Screw, Length 35mm
- JC6540 6.5mm Cannulated Screw, Length 40mm
- JC6545 6.5mm Cannulated Screw, Length 45mm
- JC6550 6.5mm Cannulated Screw, Length 50mm
- JC6555 6.5mm Cannulated Screw, Length 55mm
- JC6560 6.5mm Cannulated Screw, Length 60mm
- JC6565 6.5mm Cannulated Screw, Length 65mm
- JC6570 6.5mm Cannulated Screw, Length 70mm

Solid

- JS6535 6.5mm Solid Screw, Length 35mm
- JS6540 6.5mm Solid Screw, Length 40mm
- JS6545 6.5mm Solid Screw, Length 45mm
- JS6550 6.5mm Solid Screw, Length 50mm
- JS6555 6.5mm Solid Screw, Length 55mm
- JS6560 6.5mm Solid Screw, Length 60mm
- JS6565 6.5mm Solid Screw, Length 65mm
- JS6570 6.5mm Solid Screw, Length 70mm



Tissue Protector



K-Wire Guide Insert



Drill Guide Inserts

3.1mm Drill Guide Insert



4.0mm Drill Guide Insert



4.9mm Drill Guide Insert



Tap Guide Inserts

4.5mm Tap Guide Insert



5.5mm Tap Guide Insert



6.5mm Tap Guide Insert



Ø1.7mm K-Wire



Cannulated Drill Bits

3.1mm Cannulated Drill Bit



4.0mm Cannulated Drill Bit



4.9mm Cannulated Drill Bit



Cannulated Taps

4.5mm Cannulated Tap



5.5mm Cannulated Tap



6.5mm Cannulated Tap



Depth Gauge



Countersink



T20 Lobe Drive



Driver Handles

Ratchet Driver Handle



Fixed Driver Handle



JONES-FX™

4.5 | 5.5 | 6.5 Cannulated & Solid Titanium

PRODUCT ORDERING INFORMATION

SYSTEM

JF1000 Jones-FX™ 4.5 | 5.5 | 6.5 Cannulated & Solid Screw System

INSTRUMENTATION

JF1001	Tissue Protector
JF1002	K-Wire Guide Insert
JF1003	3.1mm Drill Guide Insert
JF1004	4.0mm Drill Guide Insert
JF1005	4.9mm Drill Guide Insert
JF1006	4.5mm Tap Guide Insert
JF1007	5.5mm Tap Guide Insert
JF1008	6.5mm Tap Guide Insert
JF1009	Ø1.7mm K-Wire
JF1010	3.1mm Cannulated Drill Bit
JF1011	4.0mm Cannulated Drill Bit
JF1012	4.9mm Cannulated Drill Bit
JF1013	4.5mm Cannulated Tap
JF1014	5.5mm Cannulated Tap
JF1015	6.5mm Cannulated Tap
JF1016	Depth Gauge
JF1017	Countersink
JF1018	T20 Lobe Driver
JF1019	Ratchet Driver Handle
JF1020	Fixed Driver Handle

CONTAINERS

JF1021	Polypropylene Screw Caddy
JF1022	Metal Sterilization Container



15200 Middlebrook Drive, Suite G
Houston, TX 77058
800.892.8020 USA
281.890.8068 FAX USA
www.instratek.com

Caution: Federal (USA) Law restricts this device to sale by or on the order of a physician.
Please refer to package insert for instructions, warnings, contraindications, and potential adverse effects.